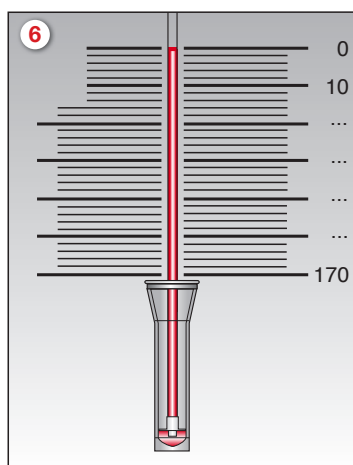
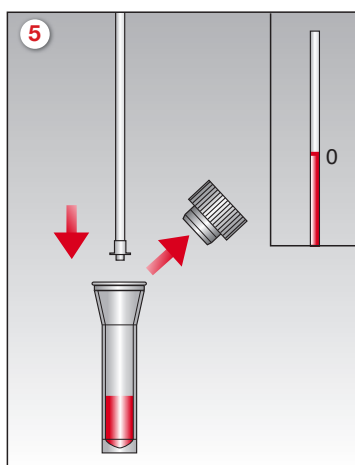
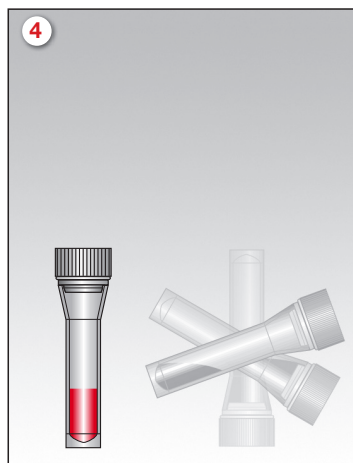
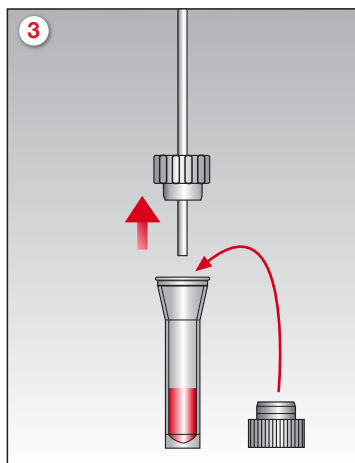
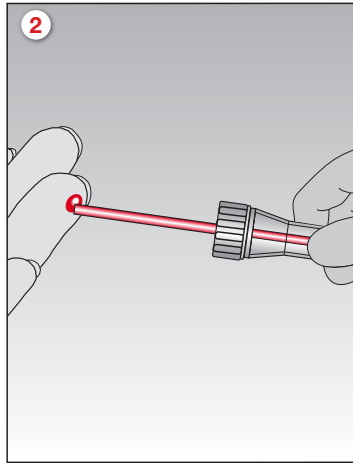
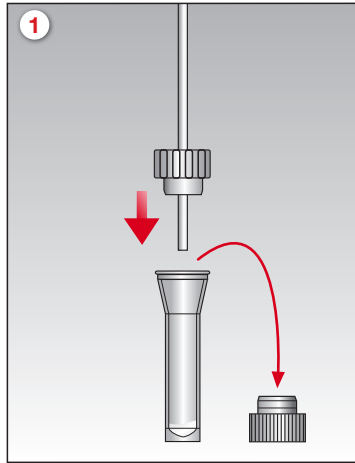


# Microvette® CB 200 - ESR

## User Guide



1. Remove the stopper from the Microvette® with citrate additive and save for later use. Attach the End-to-End capillary collector.
2. Collect blood with the End-to-End capillary. Best results are achieved if the Microvette® is held in a horizontal or slightly inclined position. Collection is complete when the End-to-End capillary is entirely filled with blood.
3. When filled, hold the tube upright to allow blood to flow from the capillary into the Microvette® until the capillary tube is completely empty. Remove the cap and discard with the capillary tube as one unit. Replace the stopper.
4. Mix the sample thoroughly by gently inverting the Microvette®.
5. Remove the stopper and discard. Insert the sedimentation tube into the Microvette® until blood is drawn up to the '0' mark.
6. Place the Microvette® with inserted sedimentation tube into the 'Microvette® CB 200' rack. Adjust the top of the blood column to zero using the height adjustment control.

All patient blood specimens should be treated with standard precautions. Always wear gloves!

SARSTEDT AG & Co.  
P.O. Box 12 20  
D-51582 Nümbrecht  
Phone +49 2293 305-0  
Fax +49 2293 305-3992  
export@sarstedt.com  
www.sarstedt.com